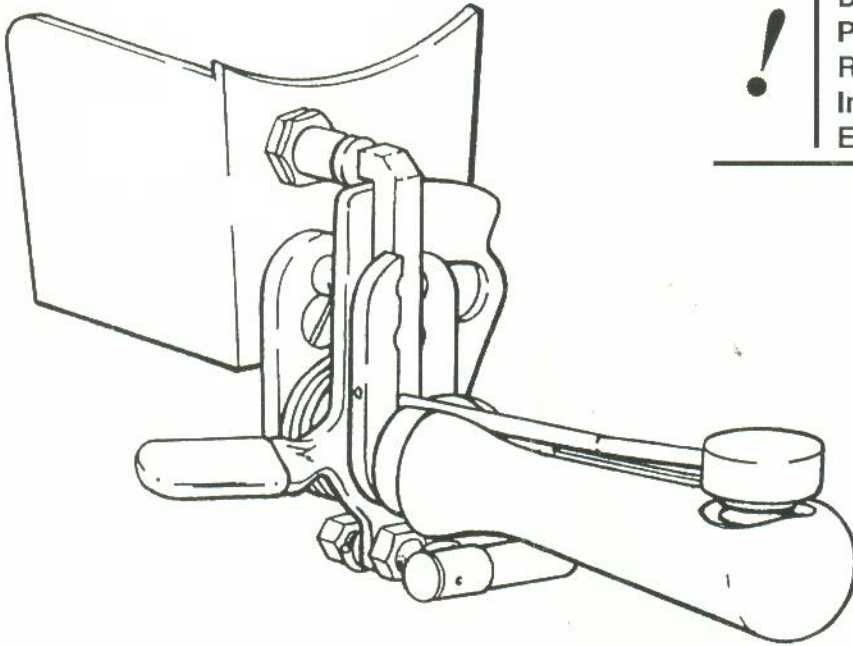


EASTMAN®

THE EASTMAN®
EURO GUARD
Constant Pressure Safety Handle

Installation Instructions & Parts List

DISPOSITIF de securite .
pour Ciseau Eastman .



Disconnect Electrical
Power Source and
Remove Knife before
Installation of
EURO GUARD

Please read completely before attempting to install your
EURO GUARD Constant Pressure Safety Handle.

Eastmanmachine
COMPANY

779 Washington St., Buffalo, N.Y. 14203-1396 U.S.A. · (716)856-2200 · Telex 4432018 · Cable EMCO BUF · Fax (716)856-1140
Manufacturers of Eastman Cloth Cutting and Cloth Spreading Machines

The *EURO GUARD* Constant Pressure Safety Handle is designed for models 627 & 629 Eastman straight knife machines. The Safety Handle allows the operator to turn off the machine by simply releasing the safety lever on the operator's handle. A built in Safety feature releases the knife guard into the safe position when the machine is not operating.

Installation Instructions

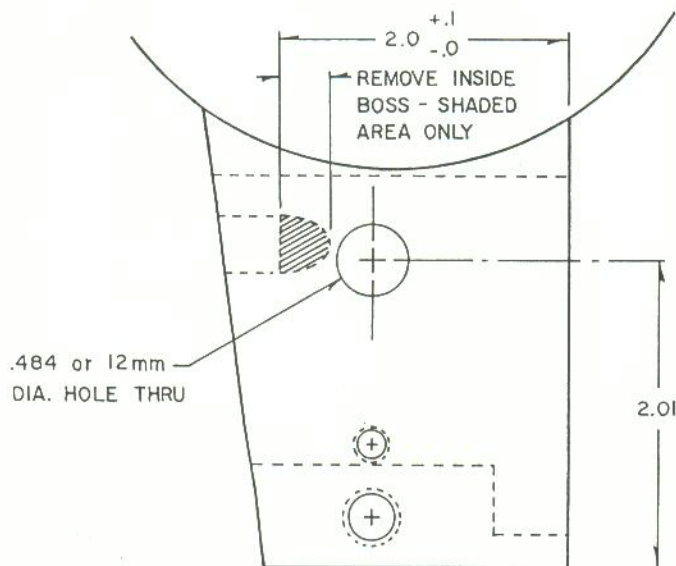
The *EURO Guard* Safety Handle kit can be easily installed by following these instructions:

WARNING: Disconnect Electrical Power Source and Remove Knife before Installation of EURO GUARD

1. Disconnect Electrical Power Source and Remove Knife.
2. Remove existing Operator Handle and Bracket.
3. Remove Switch Plate and Switch at this time.

Front Bearing Housing Modification

4. Locate Drilling Fixture #7443 (item 35 on page 3) and temporarily mount fixture to Bearing Housing with screws (items 20 and 22). Drill location hole with #21 drill bit (.159 in. or 4mm) as shown in figure 1. Remove fixture and redrill locating hole to .484 (12mm) diameter.
5. Modify Front Bearing Housing by grinding away part of aluminum boss as shown in figure 1. The shaded portion must be removed for switch clearance.

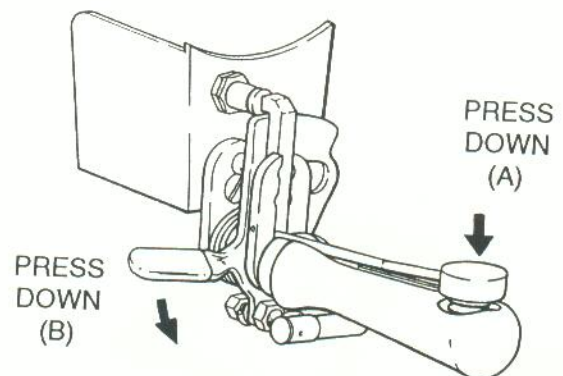


6. Assemble Actuator (26) and switch (27).
7. Install Switch Base (25 or 30) and Actuator/Switch. Switch button must extend 15/32" (.468 or 12mm) from surface of Switch Base.
8. Assemble Dual Speed Switch Base (29) and Switch (31). (Dual Speed machines Only)
9. Complete Electrical wiring as per Wiring Diagrams shown on back page.
10. Fasten Handle Bracket (23) to Bearing Housing With Screw (22), Spacer (21) and Socket Head Screw (20).
11. Secure the Handle/Lever Assembly (7) to the Handle Bracket (23 with nut (24). NOTE: Spring must hook on spacer (21) to provide proper spring action.
12. Remove old Pressure Foot Lever and Spring. Install New Euro Guard Pressure Foot Lever (3), Spring (6) and Washer (2), as shown.
13. Secure Screw (4) thru Pressure Foot Lever (3), Lock Nut (34) and into Ball Joint (13).
14. Check entire assembly for Smooth operation. Adjust Screw (4) as required and tighten lock nut (34).

Operating Instructions

Press Primary Lever (A) and hold down. Press Secondary Lever (B) with thumb to release Knife Guard and start straight knife.

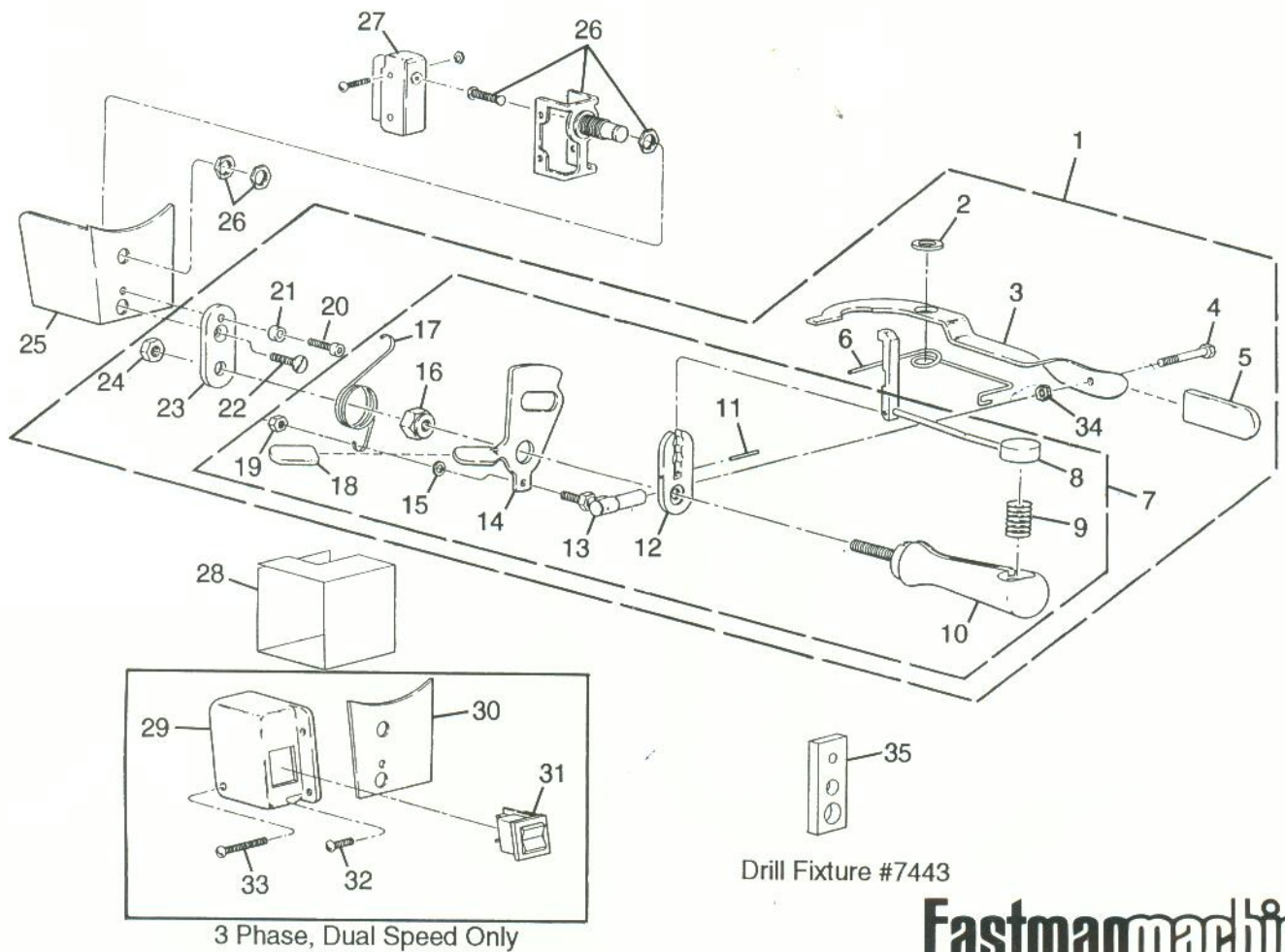
Release Primary Lever (A) to stop.



Illustrated Parts List

Item numbers are for reference only.
Please Specify PART NUMBER when
ordering replacement parts.

ITEM	PART NO.	DESCRIPTION	QTY.	ITEM	PART NO.	DESCRIPTION	QTY.
1	644C1-184	Handle Assembly, Mechanical	1	18	53C11-142	Sleeve, Rubber	1
2	12C15-14	Washer	1	19	4C2-63	Nut	2
3	57C7-54	Euro Guard Release Lever	1	20	308C18-10	Screw 1/4-20 x 7/8	1
4	20C6-33	Screw, Adjusting	1	21	55C4-131	Spacer	1
5	53C11-174	Sleeve, Vinyl	1	22	20C12-79	Screw, Handle Bracket	1
6	34C10-100	Spring	1	23	62C1-180	Bracket, Handle	1
7	531C1-85	Handle Assembly	1	24	4C2-130	Nut 3/8-24	1
8	806C1-9	Lever, Primary	1	25	52C5-210	Base, Switch, Momentary	1
9	34C10-190	Spring, Primary Lever	1	26	161C1-5	Actuator	2
10	14C1-5	Euro Operating Handle	1	27	580C1-197	Switch, Momentary, 1Ph	1
11	17C15-122	Pin, Roll 3/32 x 7/8	1		580C1-165	Switch, Momentary, 3Ph	1
12	62C1-181	Bracket, Switch Lever	1	28	8C4-37	Insulation	1
13	106C1-4	Joint, Ball	1	29	52C5-232	Base, Main Switch, 3Ph, Dual Speed	1
14	57C1-64	Lever, Secondary	1	30	52C5-212	Bracket, Switch	1
15	12C15-14	Washer	2	31	580C1-199	Switch, 3Ph, Dual Speed	1
16	4C1-204	Locknut, Handle	1	32	305C8-2	Screw, #4-40 x 3/8	1
17	34C10-189	Spring, Secondary	1	33	306C8-4	Screw, #4-40 x 1 3/4	1
				34	7443	Drill Fixture	1



Eastmanmachine
COMPANY

Wiring Diagrams

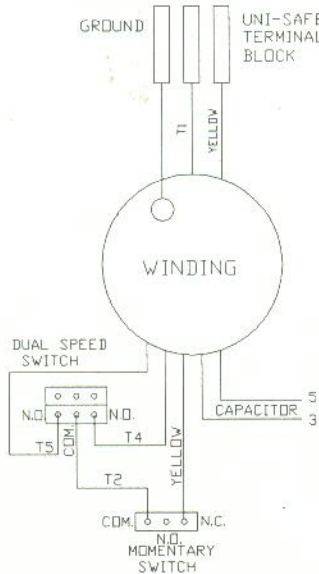
WARNING Wiring Instructions

Electrical connections to this device should be made by a qualified electrician who is familiar with applicable codes and regulations. To ensure operator safety, a ground lead must be connected to terminal "E" on the attachment plug. Disconnect this equipment from electrical power before proceeding with any disassembly for adjustment, inspection or repair.

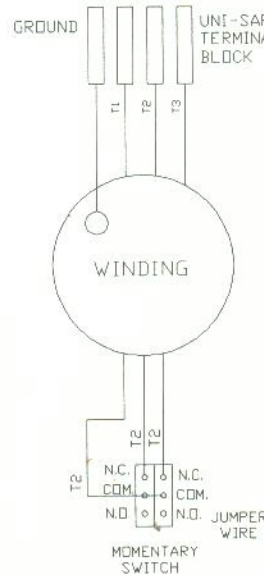
**110v,220v
1 Phase, Single Speed**



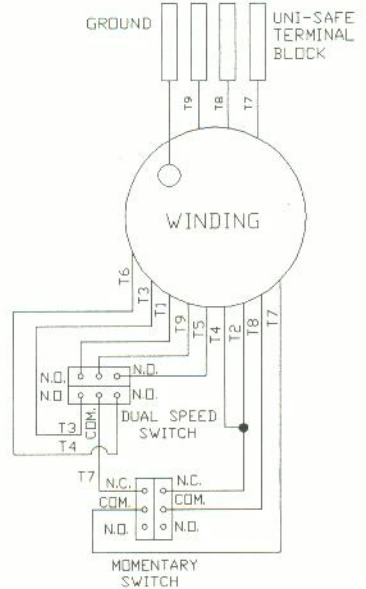
**110v,220v
1 Phase, Dual Speed**



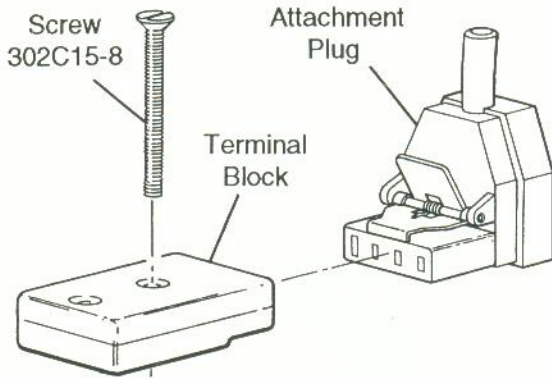
**220v,380v
3 Phase, Single Speed**



**220v,380v
3 Phase, Dual Speed**



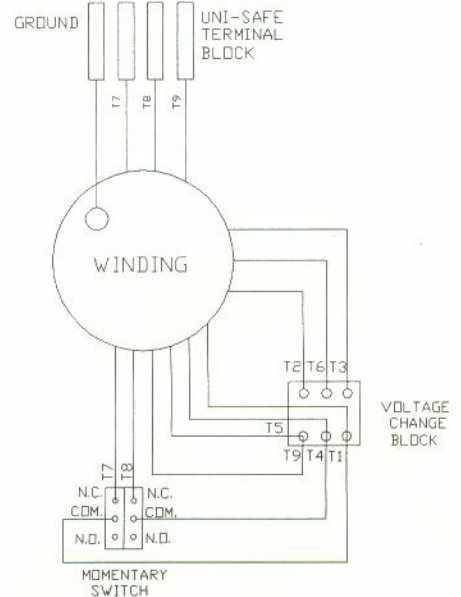
Uni-Safe Terminal Block & Attachment Plug (Required for U.S.A. Models only)



Uni-Safe Terminal Block Uni-Safe Attachment Plug

508C1-99	380V,3PH	523C1-99
508C1-100	220V,3PH	523C1-100
508C1-101	220V,1PH	523C1-101
508C1-102	120V,1PH	523C1-102
508C1-103	42V,1PH	523C1-103

**220/380v
3 Phase, Single Speed
Dual Voltage**



**Eastmanmachine
COMPANY**

779 Washington St., Buffalo, N.Y. 14203-1396 U.S.A. · (716)856-2200 · Telex 4432018 · Cable EMCO BUF · Fax (716)856-1140
Manufacturers of Eastman Cloth Cutting and Cloth Spreading Machines