

eisenkolb

ONDERDELENBOEK

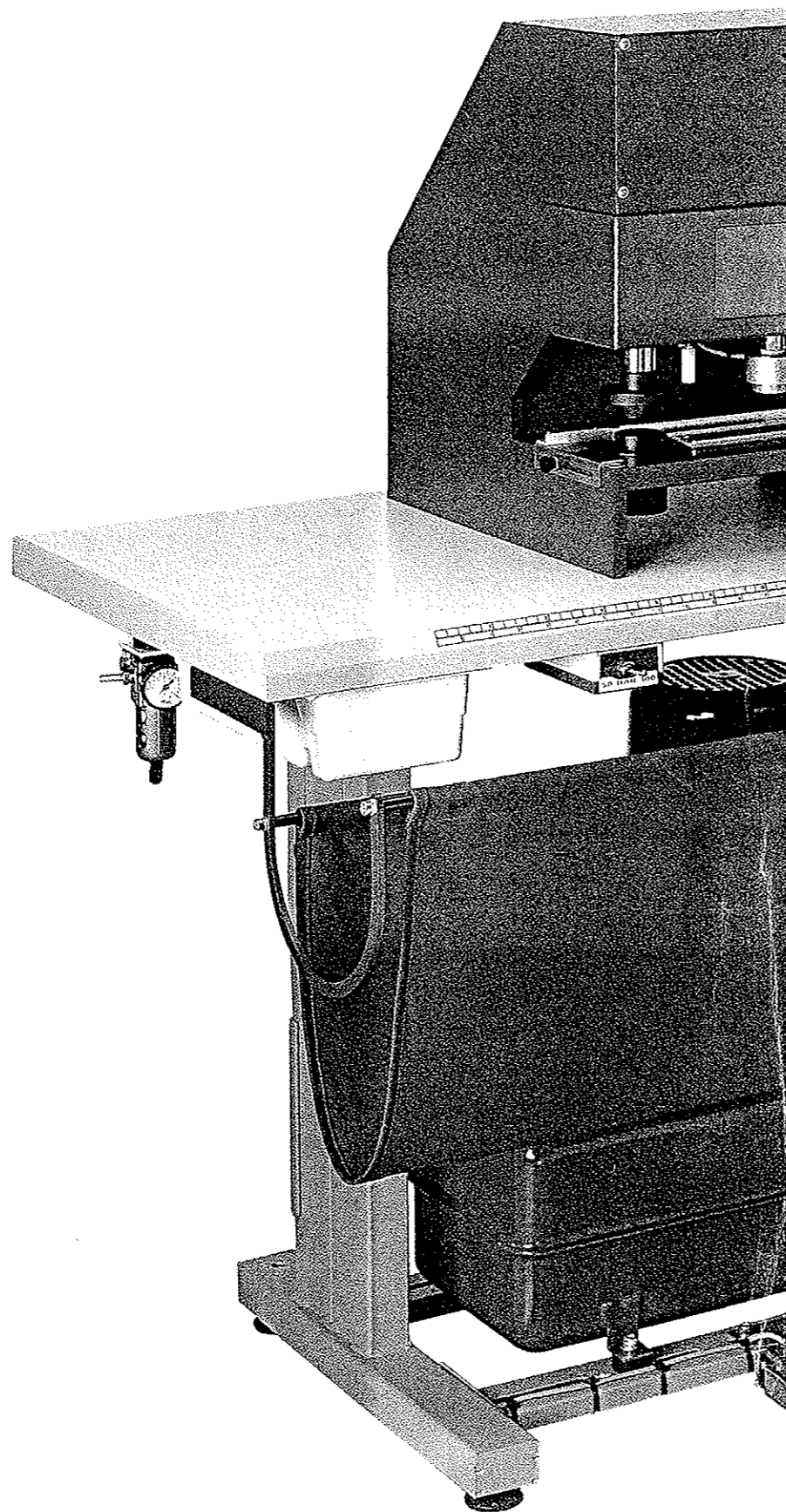
PARTS BOOK

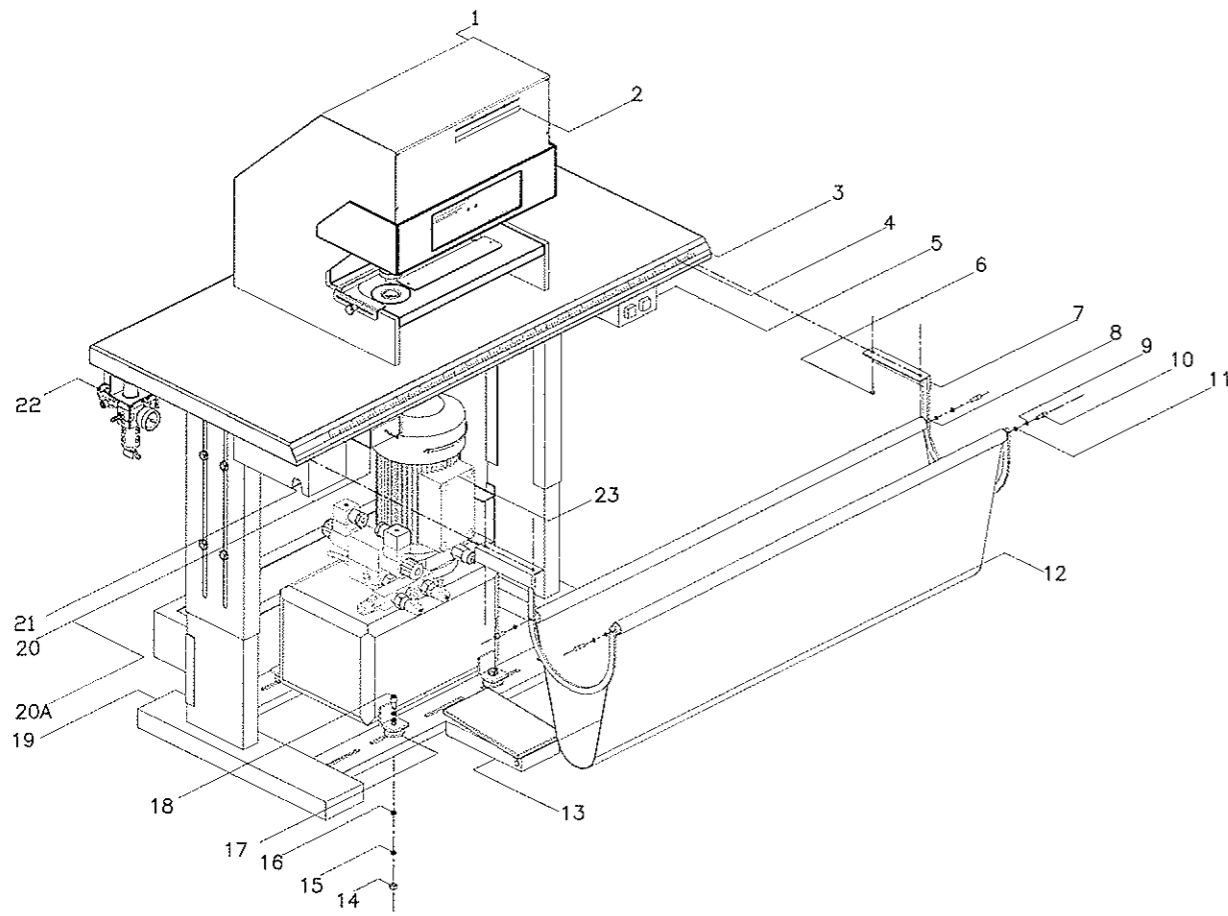
ZUBEHORTEIL BUCH

PIECES DETACHES

LIBRO DE DESPIECE

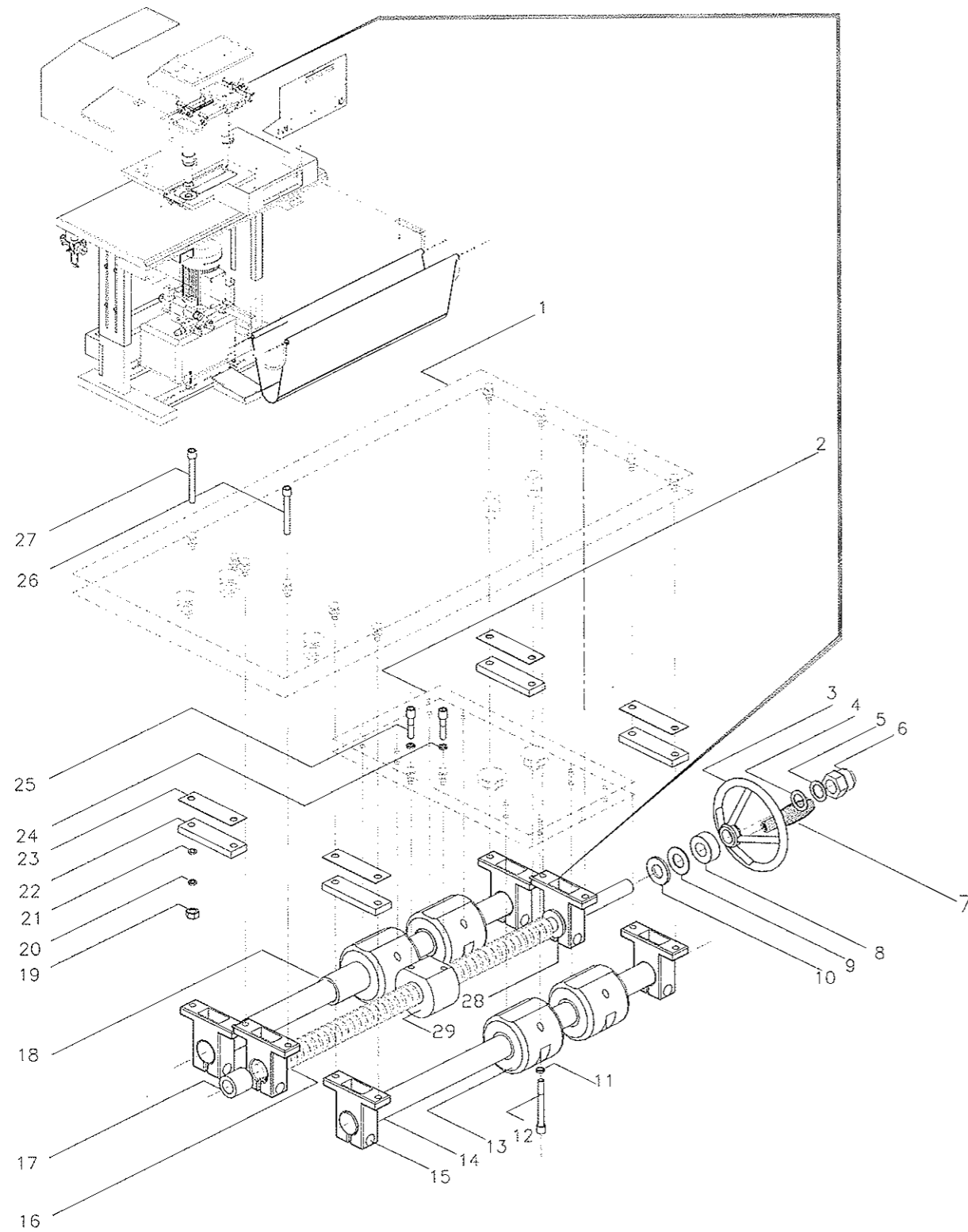
CATALOGO PARTI DI RICAMBIO





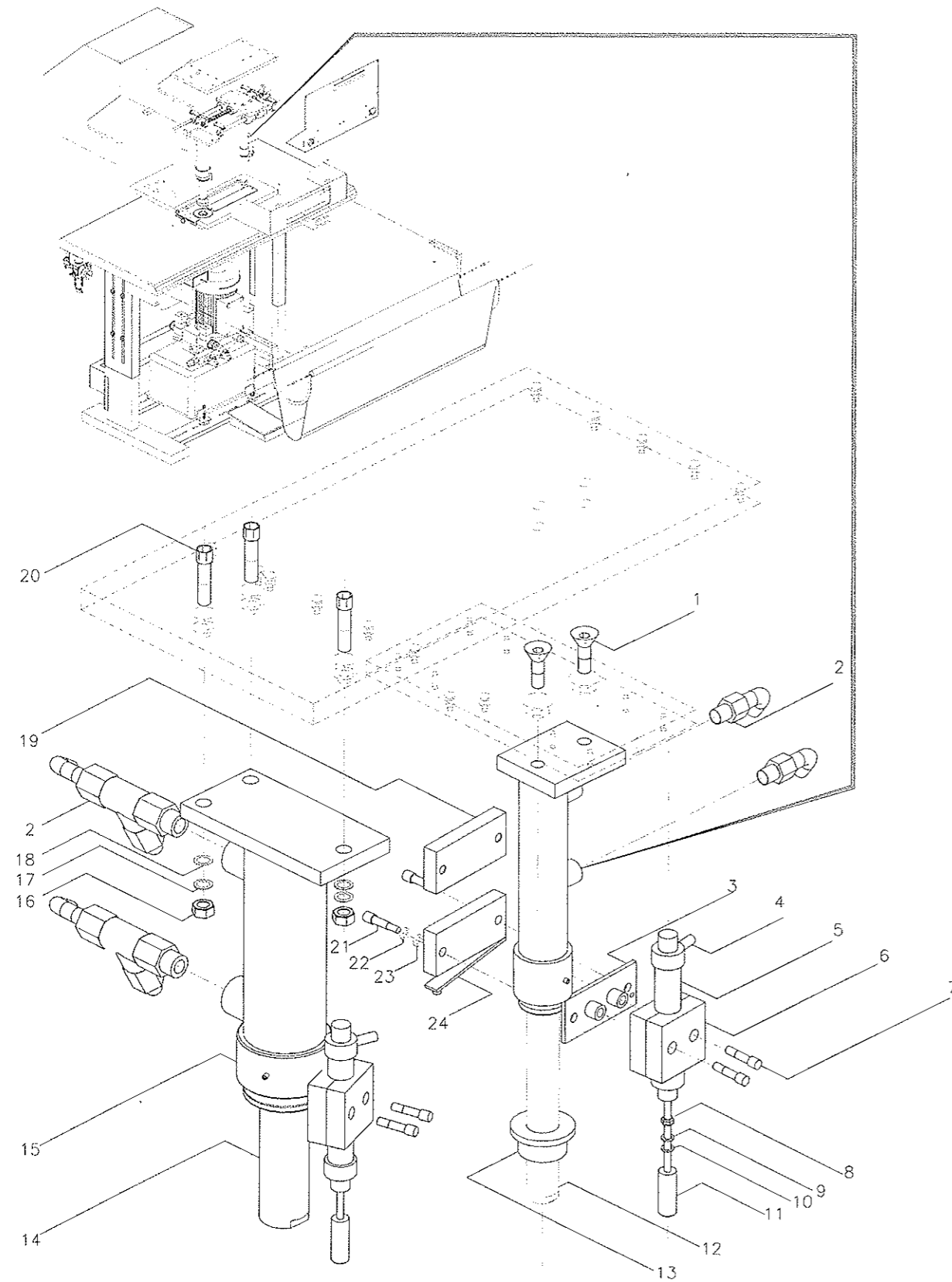
REF. NO	CODE	QUANTITY	NAME OF PARTS
1	PAGE 18	1	FRAME (CPL)
2	X5635-000-002	1	RULER 200MM
3	TB-HYPROFLEX	1	TABLE TOP
4	IND/020515	1	TABLE TOP RULER
5	SW-1/6A	1	POWER SWITCH
6	4.5X25	4	PARKER
7	HYP/960116	1	TROUGH BRACKET,SET
8	HYP/960115	2	TROUGH BEARER
9	SR Ø6MM	4	SPRING RING
10	M6X15	4	SOCKET HEAD SCREW
11	W Ø6MM	4	WASHER
12	HYP/960116S	1	TROUGH BAG
13	S 38027-101	1	FOOT PEDAL
14	M8	4	NUT
15	SR Ø8MM	8	SPRING RING
16	W Ø8MM	8	WASHER
17	M8 Ø30X15	4	VIBRATION RUBBER
18	M8X15	4	SOCKET HEAD SCREW
19	ST-HYPROFLEX	1	ERGONOMIC STAND
20	03.42.5336/H 51016-M-80	1	SWITCH/CONTROL BOX
20A	03.42.5336	1	SWITCH
21	DRAWER W.METAL	1	DRAWER WITH SLIDER
22	PAGE 14	1	AIR SUPPLY
23	HYP/960512 PAGE 16	1	HYDRAULIC S955

eisenkolb



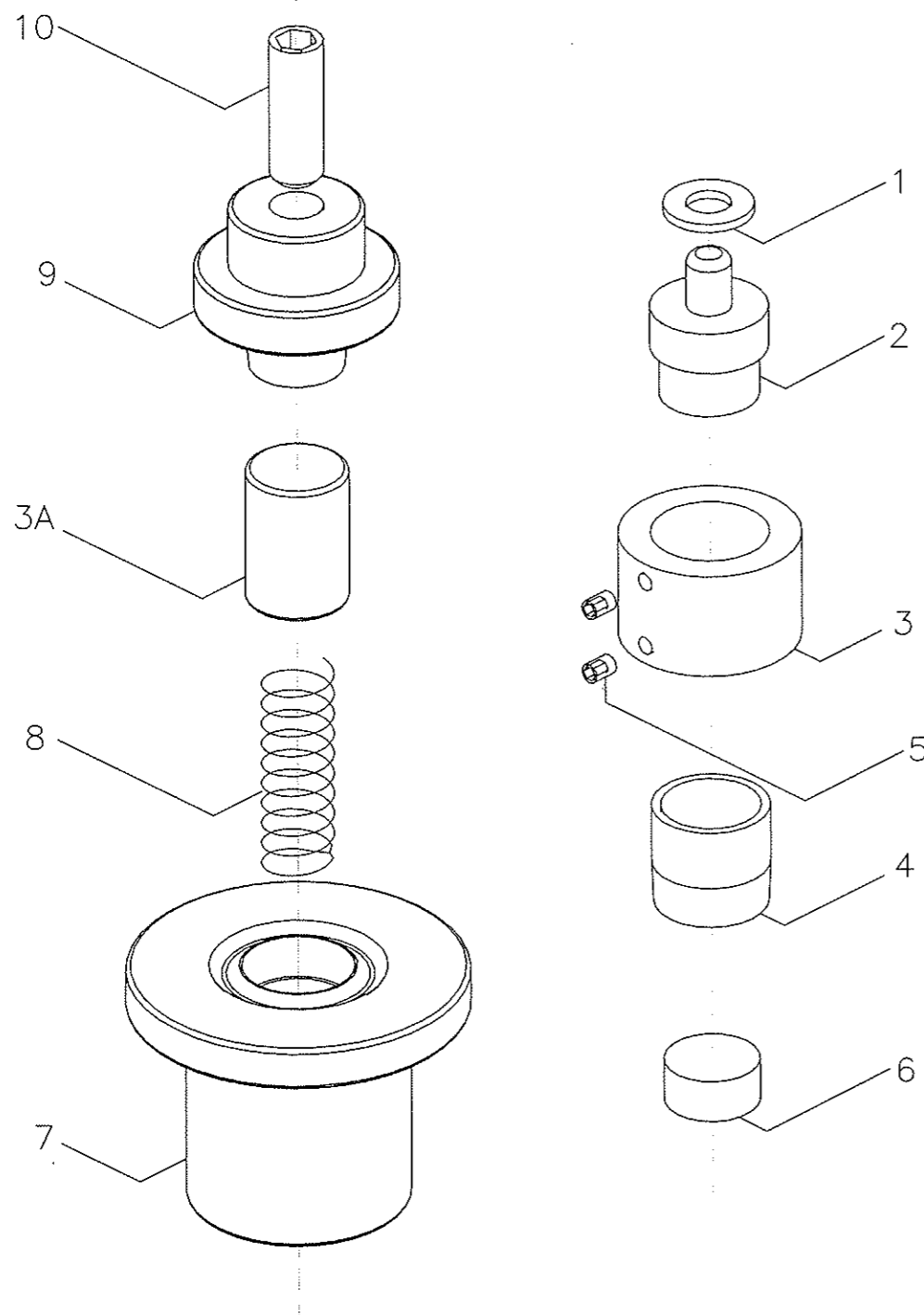
eisenkolb

REF. NO	CODE	QUANTITY	NAME OF PARTS
1	HYP/960507	1	PAGE /8
2	HYP/951128	1	MOVEABLE PLATE
3	56940-100-080	1	KNIFE ADJUSTING WHEEL D950
4	W Ø10MM	1	WASHER
5	SR Ø10MM	1	SPRING RING
6	M10	1	CAP NUT
7	57035-080-001	1	HANDLE
8	Ø20 X 8 MM HOLE Ø10MM	1	DISTANCE COLLAR
9	DR Ø20MM	1	DISK SPRING
10	HYP/961217	1	NYLON WASHER
11	SR Ø4MM	8	SPRING RING
12	M4X35	8	SOCKET HEAD SCREW
13	GH-16	2	BEARING HOLDER
14	W16H6MMCF53	2	GRINDED AXIS 295MM
15	GW-16	6	AXIS SUPPORT
16	HYP/951203	1	SPINDEL TR16
17	58956-101-616	2	CILINDER BEARINGS
18	KH-1630-PP	4	LINEAR BEARING
19	M4	12	NUT
20	SR Ø4MM	12	SPRING RING
21	W Ø4MM	12	WASHER
22	HYP/960216P	4	FILLER
23	HYP/960216	4	FILLER 0.5
24	SR Ø4MM	2	SRING RING
25	M4X16	2	SOCKET HEAD SCREW
26	M4X30	4	SOCKET HEAD SCREW
27	M4X35	8	SOCKET HEAD SCREW
28	W Ø10MM	2	WASHER 3D
29	HYP/951202	1	SPINDEL NUT TR16



REF. NO	CODE	QUANTITY	NAME OF PARTS
1	M8X20	2	SOCKET HEAD SCREW COUNTERSUNK
2	HYP/961513B	1	HYDRAULIC TUBES,SET
3	HYP/951132	1	RIGHT CILINDER ATTACH-RING
4	H915	2	STRAIGHT COUPLING
5	16N1A10A050	2	CILINDER,SINGLE ACTION
6	EPE-A1-10C	4	BRACKET CLAMP 10MM
7	M6X25	4	SOCKET HEAD SCREW
8	M4	2	NUT
9	SR Ø4MM	2	SPRING RING
10	W Ø4MM	2	WASHER
11	HYP/951210	2	NYLON STOPPER
12	HYP/CIL-KNIFE	1	CILINDER RIGHT
13	HYP/951204	1	PRESSER SWICH COLLAR
14	HYP/CIL-STANS	1	CILINDER LEFT
15	HYP/951131	1	LEFT CILINDER ATTACH-RING
16	M8	3	NUT
17	SR Ø8MM	3	SPRING RING
18	W Ø8MM	3	WASHER
19	BZ-5PA-PG9-1	1	MICROSWITCH COVER
20	M8X25	3	SOCKET HEAD SCREW
21	M4X25	2	SOCKET HEAD SCREW
22	SR Ø4MM	2	SPRING RING
23	W Ø4MM	2	WASHER
24	BZ-2RW82-A2	1	MICROSWITCH

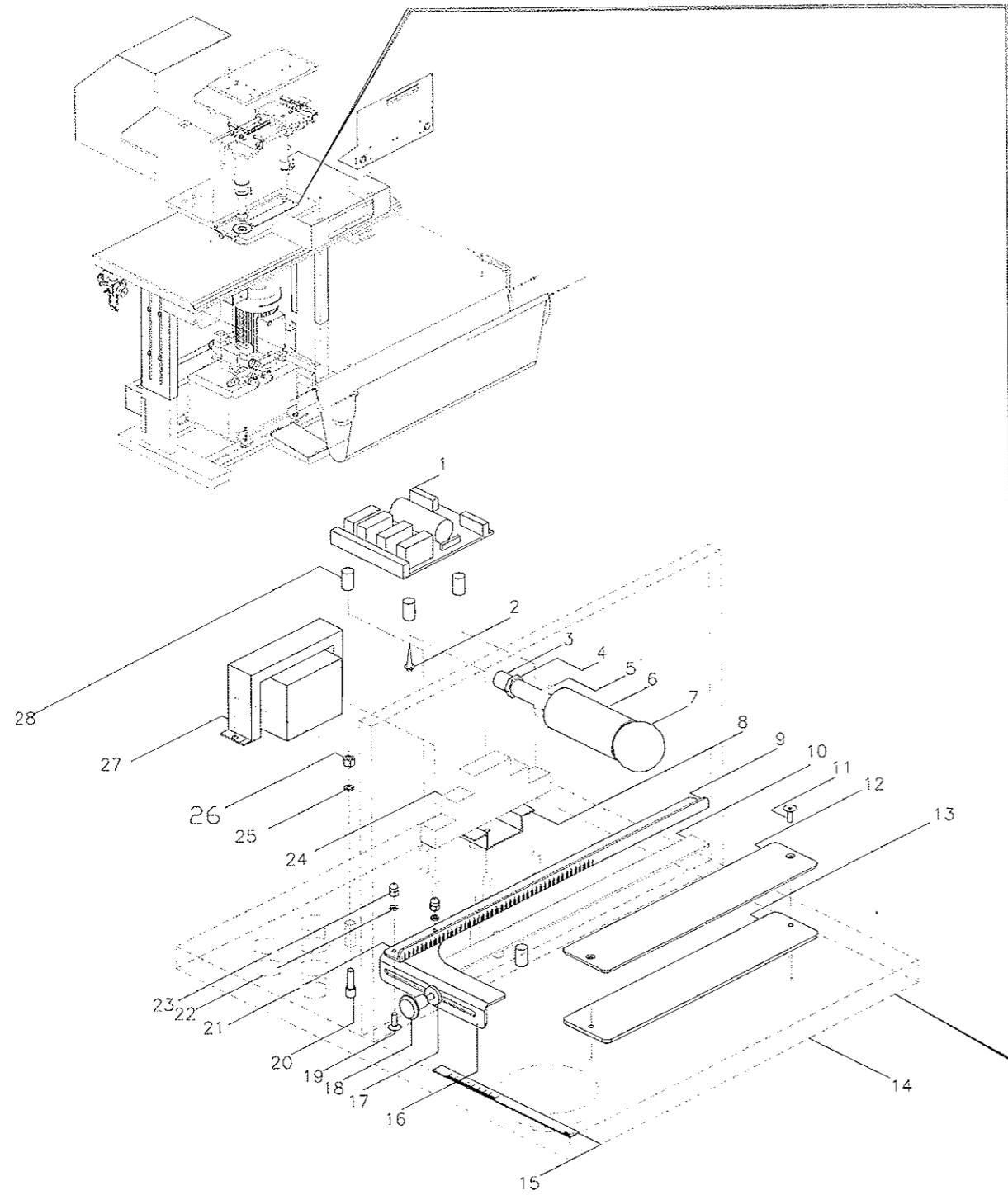
eisenkolb



eisenkolb

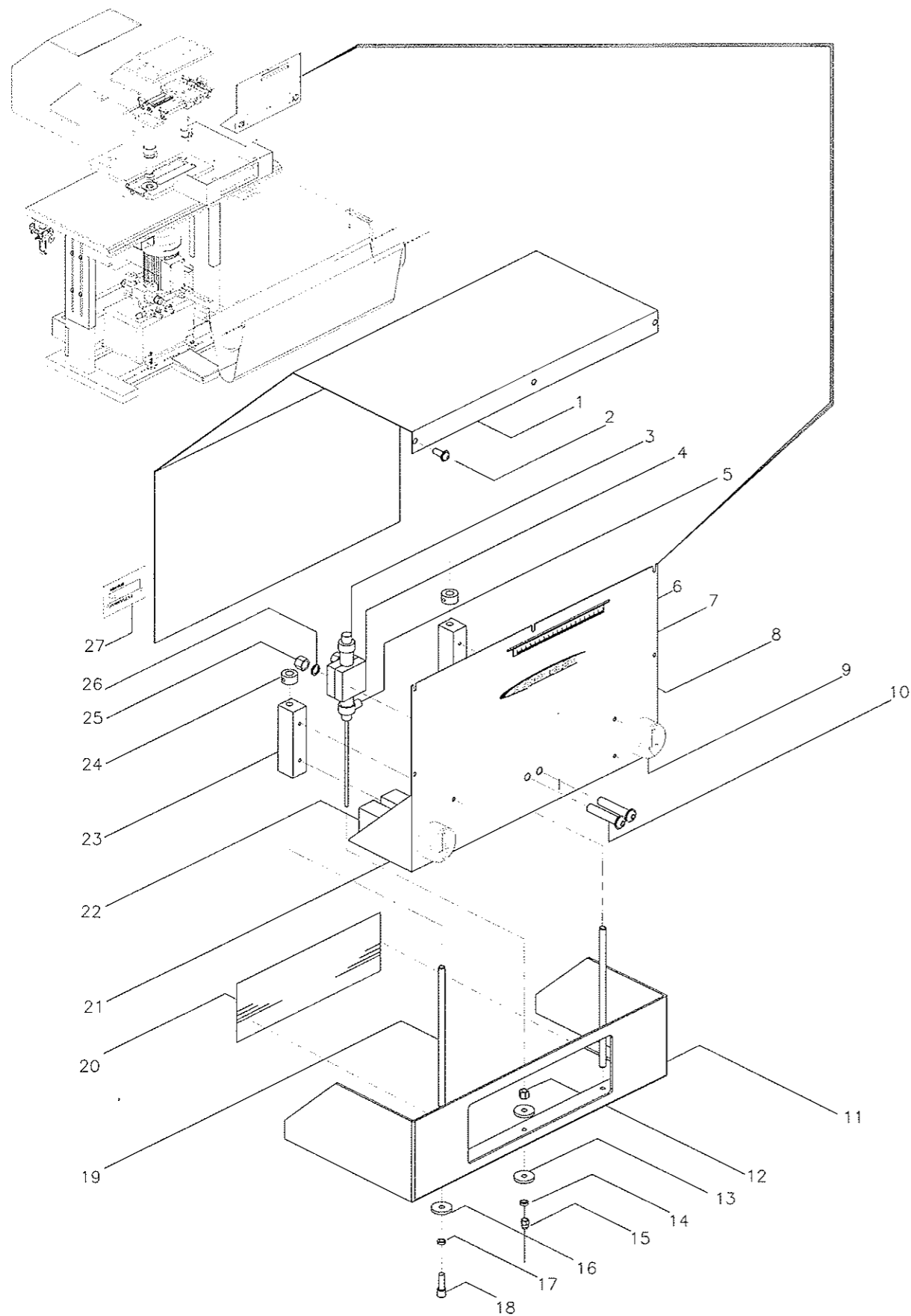
SET	REF. NO	CODE	QUANTITY	NAME OF PARTS
	1	HYP/961217	1	NYLON RING
	2	HYP/951298A	1	KNIFE HOLDER 25mm
	3	HYP/951209A	1	KNIFE RING 25mm
	4	HYP/951209M-0	1	KNIFE 25mm
HYP/25MM	5	M4X6	2	SET SCREW SOCKET
SET	6	HYP/951209U	1	EJECTOR D=25mm
	7	HYP/951208-0-25	1	LOWER DIE 25mm
	8	17912-164-060	1	SPRING
	9	HYP/951211-B-25	1	UPPER DIE 25mm
	10	M12X35	1	SOCKET SCREW
	3A	HYP/951208-0-25	1	GUIDE

SET	REF. NO	CODE	QUANTITY	NAME OF PARTS
	1	HYP/961217	1	NYLON RING
	2	HYP/951206A	1	KNIFE HOLDER 40mm
	3	HYP/951207A	1	KNIFE RING 40mm
	4	HYP/951207M-0G	1	KNIFE 40mm
HYP/40MM	5	M4X6	2	SET SCREW SOCKET
SET	6	HYP/951207U	1	EJECTOR D=40mm
	7	HYP/951208-0-40	1	LOWER DIE 40mm
	8	17912-164-060	1	SPRING
	9	HYP/951211-B-40	1	UPPER DIE 40mm
	10	M12X35	1	PLOT
	3A	HYP/951208-0-40	1	GUIDE



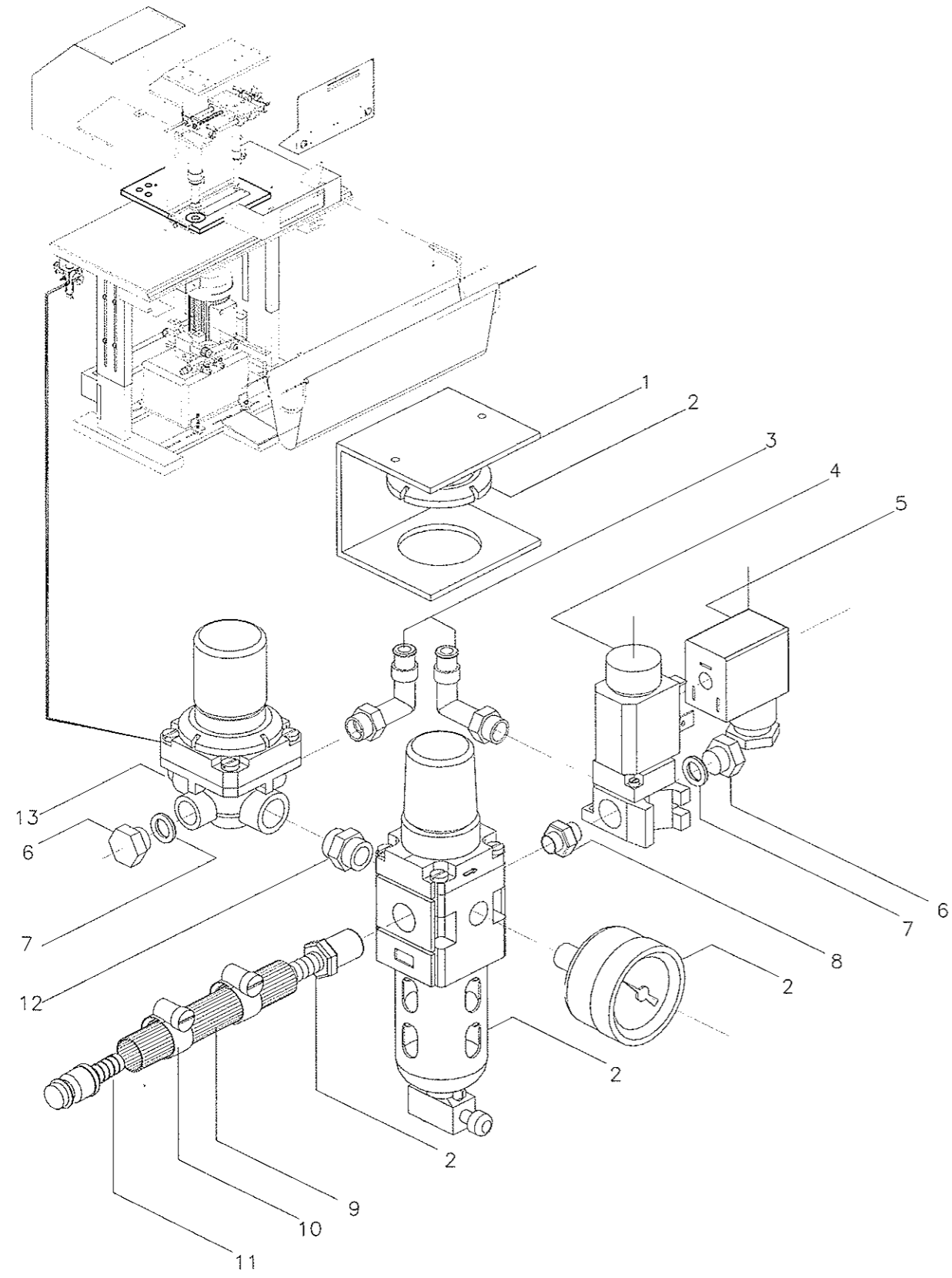
REF. NO	CODE	QUANTITY	NAME OF PARTS
1	HYP/960217	1	PCB
2	3.5X16	4	PARKER
3	M10X1 50MM LONG	1	TREAD BUSH
4	M10X1	1	NUT
5	3679601	1	LAMPFITTING E14
6	3679605	1	HOLDER
7	220V E14 15 WATT	1	LAMP
8	L=50	1	DIN RAIL
9	HYP/951227	1	DEPTH RULER
10	HYP/951227-0	1	FILLER ALU
11	M4X15	2	SOCKET HEAD SCREW COUNTERSUNK
12	HYP/951130	1	LOWER CUTTING PLATE
13	HYP/951130A	1	CUTTINGPLATE SUPPORT
14	HYP/960507	1	PAGE 18
15	X5635-000-003	1	RULER 300MM
16	HYP/951228	1	DEPTH RULER
17	W Ø4MM	1	WASHER 3Ø
18	M4X8	1	SHOULDER SCREW
19	M3X8	2	SOCKET HEAD SCREW COUNTERSUNK
20	M4X12	4	SOCKET HEAD SCREW
21	X5635-000-002	2	RULER 200MM
22	W Ø3MM	2	WASHER PLAIN
23	M3	2	CAP NUT
24	2645502	1	IMPULS RELAY
25	W Ø4MM	4	WASHER
26	M4	4	NUT
27	330-4346	1	TRANSFORMER 5
28	957-355	4	PCB HOLDER

eisenkolb

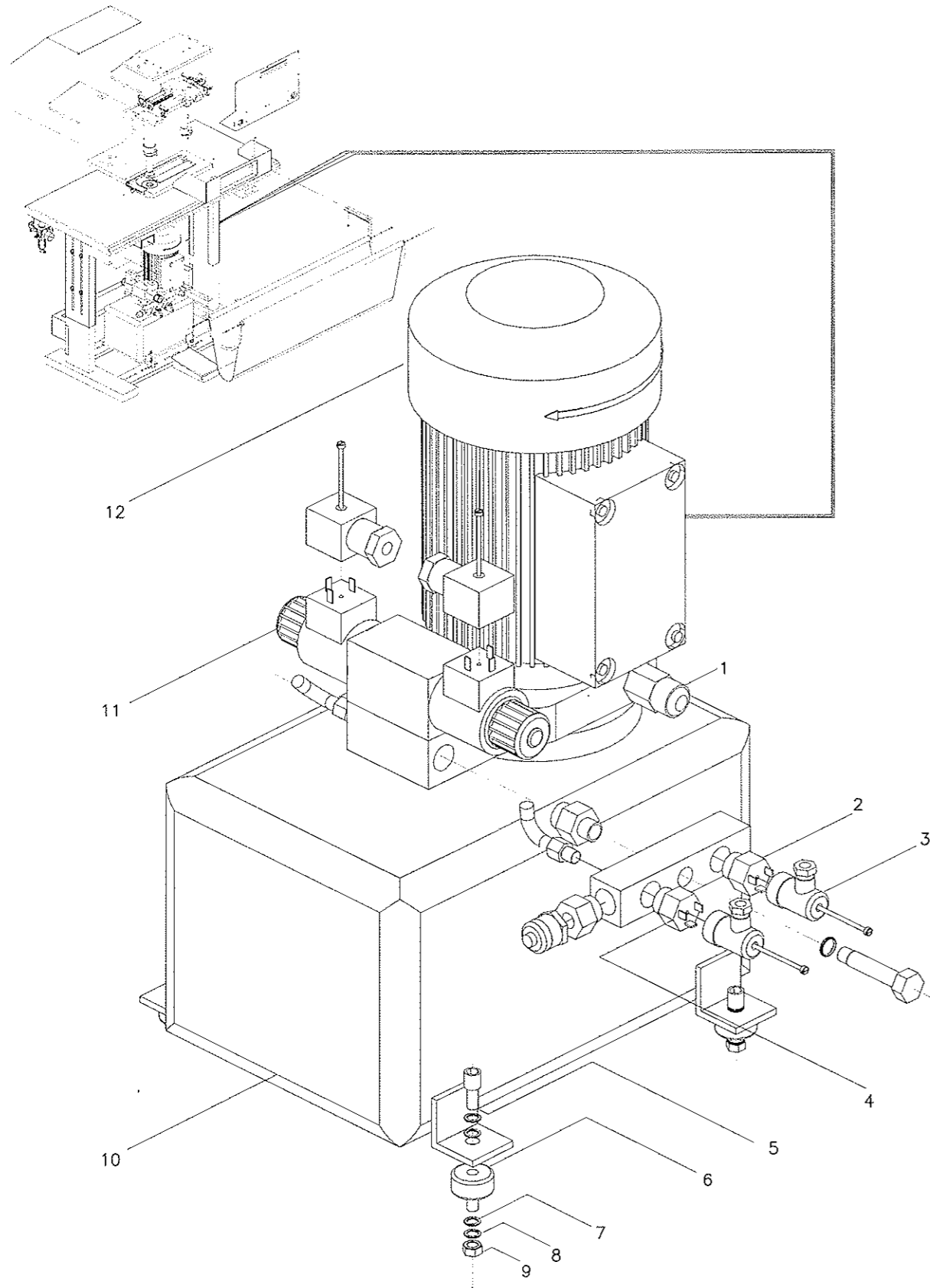


eisenkolb

REF. NO	CODE	QUANTITY	NAME OF PARTS
1	HYP/951221	1	TOP COVER
2	M4X10	16	ROUND HEAD SOCKET SCREW
3	16N2A10A100	1	CILINDER,DOUBLE,ACTION
4	EPE A1-10C	2	BRACKET CLAMP
5	H915	1	STRAIGHT COUPLING
6	X5635-000-002	1	RULER 200MM
7	HYP/20000605	1	MODEL STICKER
8	HYP/951220	1	COVER FRONT
9	800E-AF 108-B	2	ARROW
10	M6X30	2	ROUND HEAD SOCKET SCREW
11	HYP/951223	1	MOVING COVER
12	M4	1	NUT
13	W Ø4MM	2	WASHER 3D
14	SR Ø4MM	1	SPRING RING
15	M4	1	CAP NUT
16	W Ø4MM	4	WASHER 3D
17	SR Ø4MM	2	SPRING RING
18	M4X12	2	SOCKET HEAD SCREW
19	HYP/951224	2	GUIDING AXIS
20	HYP/951226	1	WINDOW GLASS
21	800ES-F9	2	PUSH BUTTON/SWITCH
22	800E-3LX11	4	MICRO SWITCH
23	HYP/951225	2	GUIDING BLOCK "D"
24	3782080-001	2	ADJUSTING RING 8MM
25	M6	2	NUT
26	SR Ø6MM	2	SPRING RING
27	TYP-05001/HYPRO	1	TYPE SHIELD

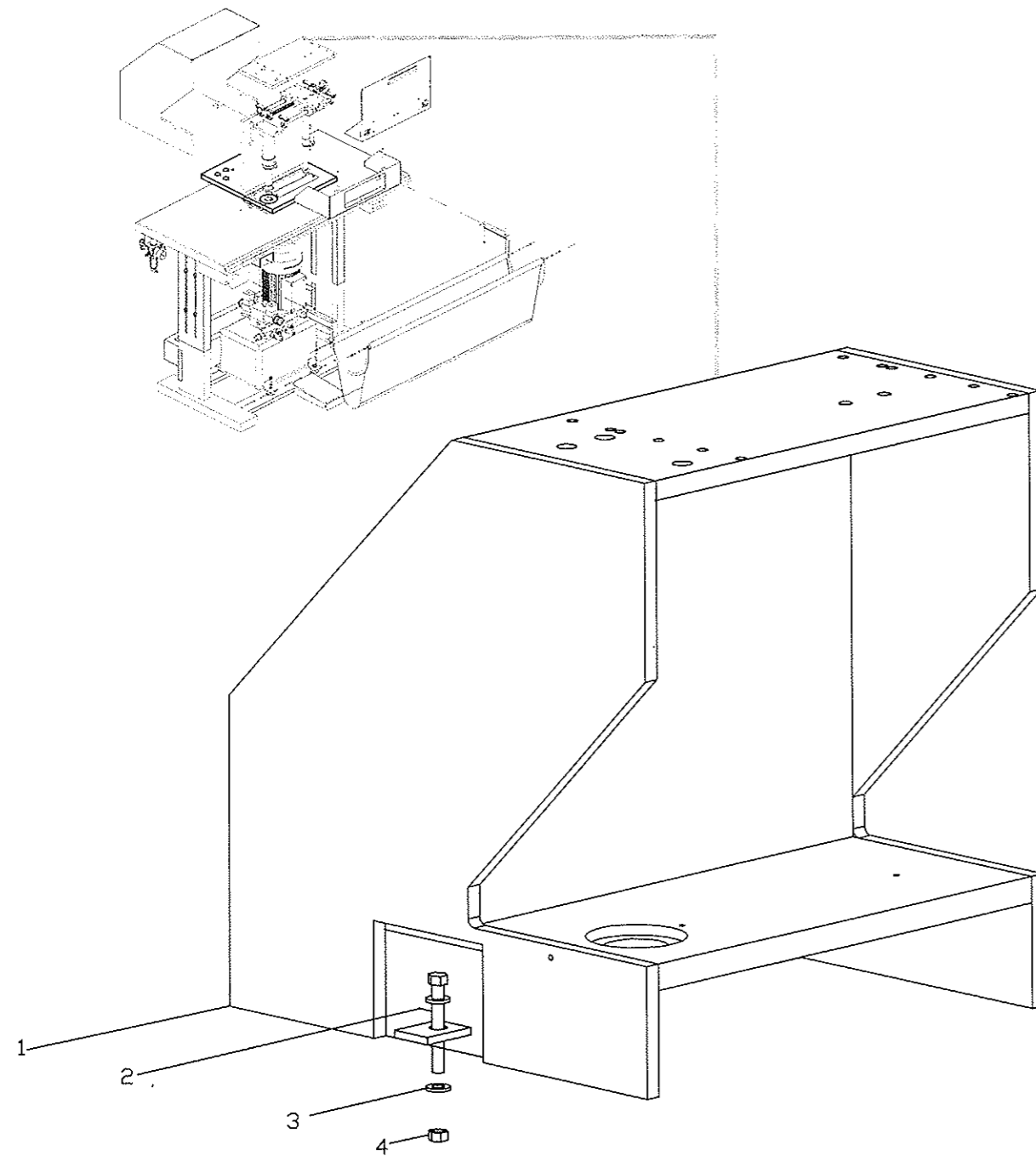


REF. NO	CODE	QUANTITY	NAME OF PARTS
1	B220	1	BRACKET
2	H8006/C	1	REDUCTION VALVE
3	H917	2	ELBOW COUPLING
4	H8009	1	SOLENOID VALVE 24 VOLTS
5	H8008	1	PLUG
6	H931	2	STOPPER 2611-1
7	O-1/8"	2	RING O-1/8"
8	H906	1	ADAPTER UNION "S"
9	PVC	1	TUBE 8X14
10	ABA 11-17	2	HOSE CLAMP 11-17
11	10-320-5003	1	HOSE CONNECTOR, MALE, 8MM
12	H909	1	DOUBLE UNION "S2"
13	H8007	1	REDUCTION VALVE



REF. NO	CODE	QUANTITY	NAME OF PARTS
1	407 03-02740803 031 G1/4"	1	SWITCH PRESSER
2	218 146003100	1	PRESSURE SWITCH 115 BAR
3	1.1.80.652.002	2	PLUG
4	218 046103100	1	PRESSURE SWITCH 68 BAR
5	M8 X15	4	SOCKET HEAD SCREW
6	M8 Ø 30X15	4	VIBRIATION RUBBER
7	W Ø8	8	WASHER
8	SR Ø8	8	SPRING RING
9	M8	4	NUT
10	MPP-T015	1	TANK
11	HYP/SEV03C6024C	1	VALVE
12	EM-90-S4-B14-1A0	1	ENGINE

eisenkolb



eisenkolb

REF. NO	CODE	QUANTITY	NAME OF PARTS
1	HYP/960507	1	FRAME
2	M8X60	2	HEXAGONAL BOLT
3	W Ø8MM	4	WASHER
4	M8	2	NUT